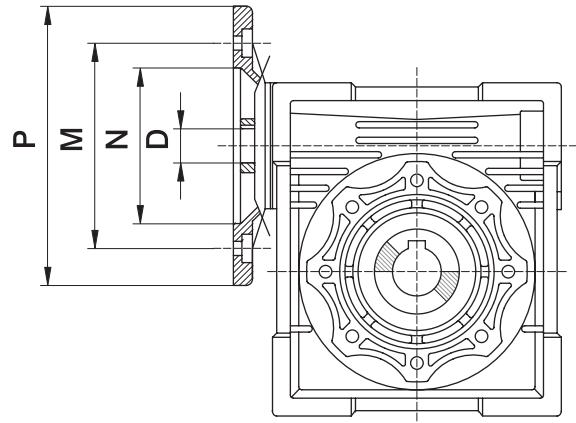


## 鋁殼中空軸減速機

### 輸入法蘭盤面尺寸



NMRV	PAM IEC	P	M	N	D											
					5	7.5	10	15	20	25	30	40	50	60	80	100
025	56B14	80	65	50	9	9	9	9	9	-	9	9	9	9	-	-
030	63B5	140	115	95	11	11	11	11	11	11	11	11	11	-	-	-
	63B14	90	75	60	9	9	9	9	9	9	9	9	9	9	9	-
	56B5	120	100	80	-	-	-	-	-	-	-	-	9	9	9	9
	56B14	80	65	50	14	14	14	14	14	14	14	14	-	-	-	-
040	71B5	160	130	110	11	11	11	11	11	11	11	11	11	11	11	11
	71B14	105	85	70	-	-	-	-	-	-	-	-	9	9	9	9
	63B5	140	115	95	-	-	-	-	-	-	-	-	11	11	11	11
	63B14	90	75	60	19	19	19	19	19	19	19	-	-	-	-	-
	56B5	120	100	80	14	14	14	14	14	14	14	14	14	14	14	-
050	80B5	200	165	130	-	-	-	-	-	-	-	-	11	11	11	11
	80B14	120	100	80	24	24	24	24	24	24	24	-	-	-	-	-
	71B5	160	130	110	-	-	-	-	-	-	-	14	14	14	14	14
	71B14	105	85	70	19	19	19	19	19	19	19	19	19	19	19	19
	63B5	140	115	95	-	-	-	-	-	-	-	14	14	14	14	14
063	90B5	200	165	130	-	28	28	28	28	28	28	-	-	-	-	-
	90B14	140	115	95	-	24	24	24	24	24	24	24	-	-	-	-
	80B5	200	165	130	-	-	-	-	19	19	19	19	19	19	19	19
	80B14	120	100	80	-	-	-	-	-	-	-	-	19	19	19	19
	71B5	160	130	110	-	-	-	-	-	-	-	-	14	14	14	14
	71B14	105	85	70	-	-	-	-	-	-	-	-	14	14	14	14
075	100/112B5	250	215	180	-	38	38	38	38	38	38	-	-	-	-	-
	100/112B14	160	130	110	-	28	28	28	28	28	28	28	28	28	28	28
	90B5	200	165	130	-	-	-	-	-	-	-	-	-	-	-	-
	90B14	140	115	95	-	24	24	24	24	24	24	24	24	24	24	24
	80B5	200	165	130	-	-	-	-	-	-	-	-	19	19	19	19
	80B14	120	100	80	-	-	-	-	-	-	-	-	19	19	19	19
090	100/112B5	250	215	180	-	38	38	38	38	38	38	-	-	-	-	-
	100/112B14	160	130	110	-	28	28	28	28	28	28	28	28	28	28	28
	90B5	200	165	130	-	-	-	-	-	-	-	-	-	-	-	-
	90B14	140	115	95	-	24	24	24	24	24	24	24	24	24	24	24
	80B5	200	165	130	-	-	-	-	-	-	-	-	19	19	19	19
	80B14	120	100	80	-	-	-	-	-	-	-	-	19	19	19	19
110	132B5	300	265	230	-	42	42	42	42	42	42	-	-	-	-	-
	100/112B5	250	215	180	-	38	38	38	38	38	38	38	38	38	38	38
	90B5	200	165	130	-	-	-	-	-	-	-	-	-	-	24	24
	80B5	200	165	130	-	-	-	-	-	-	-	-	-	-	24	24
130	132B5	300	265	230	-	42	42	42	42	42	42	-	-	-	-	-
	100/112B5	250	215	180	-	38	38	38	38	38	38	38	38	38	38	38
	90B5	200	165	130	-	-	-	-	-	-	-	-	-	-	24	24
150	160B5	350	300	250	-	42	42	42	42	42	42	-	-	-	-	-
	132B5	300	265	230	-	38	38	38	38	38	38	38	38	38	38	38
	100/112B5	250	215	180	-	-	-	-	-	-	-	-	28	28	28	28

\* All Specifications, dimensions and design characteristics shown in this catalogue are subject to change without notices.

## 鋁殼中空軸減速機

### 蝸桿及蝸輪效率表 Mesh Data

NRV	i	5	7.5	10	15	20	25	30	40	50	60	80	100
025	Z1	4	4	3	2	2		1	1	1	1		
	$\gamma$	30° 57'	25° 18'	19° 31'	13° 18'	10° 53'		6° 44'	5° 29'	4° 34'	3° 56'		
	mx	1.8	1.3	1.3	1.3	1		1.3	1	0.8	0.67		
	$\eta$ d	0.86	0.84	0.82	0.78	0.74		0.66	0.61	0.57	0.54		
	$\eta$ s	0.71	0.70	0.67	0.60	0.55		0.46	0.41	0.36	0.34		
030	Z1	4	4	3	2	2	1	1	1	1	1	1	
	$\gamma$	21° 48'	18° 50'	14° 21'	9° 40'	7° 44'	5° 34'	4° 52'	3° 53'	3° 11'	2° 46'	2° 07'	
	mx	2	1.44	1.44	1.44	1.1	1.7	1.44	1.1	0.88	0.75	0.56	
	$\eta$ d	0.86	0.84	0.81	0.76	0.72	0.67	0.64	0.58	0.54	0.50	0.44	
	$\eta$ s	0.71	0.66	0.62	0.54	0.50	0.43	0.39	0.35	0.31	0.27	0.23	
040	Z1	4	4	4	2	2	2	1	1	1	1	1	1
	$\gamma$	27° 24'	21° 48'	17° 31'	11° 18'	8° 58'	7° 41'	5° 42'	4° 30'	3° 51'	3° 17'	2° 32'	2° 05'
	mx	2.8	2	1.5	2	1.5	1.25	2	1.5	1.25	1.04	0.78	0.63
	$\eta$ d	0.88	0.86	0.85	0.81	0.77	0.74	0.69	0.64	0.61	0.57	0.51	0.47
	$\eta$ s	0.72	0.69	0.65	0.58	0.53	0.5	0.44	0.4	0.36	0.32	0.28	0.24
050	Z1	4	4	4	2	2	2	1	1	1	1	1	1
	$\gamma$	23° 49'	21° 48'	17° 42'	11° 18'	9° 04'	7° 36'	5° 42'	4° 33'	3° 49'	3° 17'	2° 33'	2° 04'
	mx	3.4	2.5	1.9	2.5	1.9	1.54	2.5	1.9	1.54	1.3	0.98	0.78
	$\eta$ d	0.87	0.86	0.84	0.8	0.77	0.74	0.7	0.65	0.61	0.57	0.51	0.49
	$\eta$ s	0.73	0.69	0.65	0.58	0.54	0.5	0.44	0.39	0.35	0.32	0.27	0.23
063	Z1		4	4	2	2	2	1	1	1	1	1	1
	$\gamma$		24° 31'	20° 19'	12° 50'	10° 29'	8° 44'	6° 30'	5° 17'	4° 23'	3° 47'	2° 59'	2° 25'
	mx		3.25	2.5	3.25	2.5	2	3.25	2.5	2	1.68	1.28	1.02
	$\eta$ d		0.87	0.86	0.82	0.8	0.77	0.73	0.69	0.65	0.61	0.56	0.5
	$\eta$ s		0.7	0.65	0.59	0.54	0.5	0.45	0.4	0.36	0.33	0.28	0.24
075	Z1		4	4	2	2	2	1	1	1	1	1	1
	$\gamma$		26° 33'	21° 48'	14° 02'	11° 18'	9° 37'	7° 07'	5° 42'	4° 50'	4° 05'	3° 15'	2° 40'
	mx		4	3	4	3	2.45	4	3	2.45	2	1.54	1.24
	$\eta$ d		0.88	0.87	0.84	0.81	0.79	0.75	0.71	0.68	0.64	0.59	0.54
	$\eta$ s		0.7	0.67	0.6	0.57	0.52	0.46	0.42	0.38	0.35	0.29	0.26
090	Z1		4	4	2	2	2	1	1	1	1	1	1
	$\gamma$		28° 20'	23° 26'	15° 05'	12° 14'	10° 37'	7° 40'	6° 11'	5° 21'	4° 36'	3° 36'	2° 57'
	mx		4.8	3.6	4.8	3.6	3	4.8	3.6	3	2.5	1.88	1.5
	$\eta$ d		0.89	0.88	0.85	0.83	0.81	0.77	0.74	0.71	0.68	0.62	0.58
	$\eta$ s		0.72	0.69	0.63	0.59	0.55	0.49	0.45	0.41	0.38	0.32	0.28
110	Z1		4	4	2	2	2	1	1	1	1	1	1
	$\gamma$		28° 17'	27° 35'	15° 03'	14° 38'	12° 37'	7° 39'	7° 26'	6° 23'	5° 31'	4° 23'	3° 38'
	mx		5.89	4.6	5.89	4.6	3.75	5.89	4.6	3.75	3.12	2.36	1.9
	$\eta$ d		0.89	0.88	0.85	0.84	0.83	0.78	0.77	0.74	0.71	0.66	0.62
	$\eta$ s		0.71	0.68	0.62	0.61	0.58	0.48	0.48	0.44	0.41	0.36	0.32
130	Z1		4	4	2	2	2	1	1	1	1	1	1
	$\gamma$		28° 46'	26° 15'	15° 21'	13° 51'	11° 49'	7° 48'	7° 01'	5° 58'	5° 12'	4° 05'	3° 25'
	mx		7	5.4	7	5.4	4.37	7	5.4	4.37	3.68	2.75	2.24
	$\eta$ d		0.9	0.88	0.86	0.85	0.83	0.79	0.77	0.74	0.71	0.67	0.63
	$\eta$ s		0.71	0.68	0.62	0.6	0.57	0.49	0.46	0.43	0.39	0.34	0.3
150	Z1		6	4	3	2	2	2	1	1	1	1	1
	$\gamma$		32° 09'	24° 35'	17° 27'	12° 53'	11° 19'	9° 50'	6° 32'	5° 43'	4° 57'	3° 55'	3° 14'
	mx		5,5	6,155	5,5	6,155	5	4,193	6,155	5	4,193	3,17	2,55
	$\eta$ d		0,91	0,9	0,88	0,86	0,84	0,83	0,78	0,76	0,73	0,68	0,64
	$\eta$ s		0,73	0,71	0,66	0,6	0,57	0,54	0,45	0,42	0,39	0,33	0,29

The helix is right-handed.  $\eta$  d(1400) ...dynamic efficiency at n1=1400  $\eta$  s...static efficiency  
 i...ratio Z1: 蝸桿牙口數  $\gamma$ :螺旋角 mx:模數